

Technical data sheet



Product features

Steak grill electric with digital timer and top contact plate 65x48 table

Model	SAP Code	00021131
FTHC 60 ED + KD 30 T	A group of articles - web	Grills and grill plates



- Top type: Smooth
- Griddle dimensions [mm x mm]: 650 x 480 + 320 x 380
- Griddle thickness [mm]: 10.00
- Container for liquid fat: Yes
- Independent heating zones: Separate control for each heating zone on the bottom plate and for the top plates
- Maximum device temperature [°C]: 300
- Surface finish: durable chrome
- Removable rim: No

SAP Code	00021131	Power electric [kW]	9.000
Net Width [mm]	660	Loading	230/400 V / 1/3N - 50 Hz
Net Depth [mm]	660	Griddle dimensions [mm x mm]	650 x 480 + 320 x 380
Net Height [mm]	400	Top type	Smooth
Net Weight [kg]	62.00		

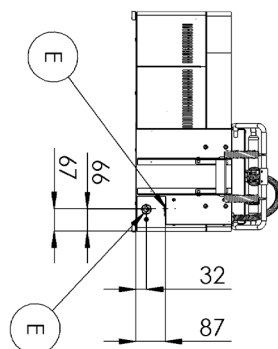
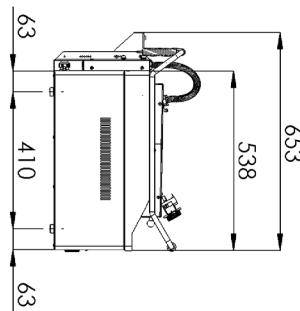
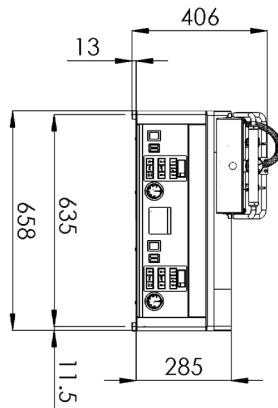
Technical data sheet



Technical drawing

Steak grill electric with digital timer and top contact plate 65x48 table

Model	SAP Code	00021131
FTHC 60 ED + KD 30 T	A group of articles - web	Grills and grill plates



Technical data sheet



Technical parameters

Steak grill electric with digital timer and top contact plate 65x48 table

Model	SAP Code	00021131
FTHC 60 ED + KD 30 T	A group of articles - web	Grills and grill plates

1. SAP Code:

00021131

2. Net Width [mm]:

660

3. Net Depth [mm]:

660

4. Net Height [mm]:

400

5. Net Weight [kg]:

62.00

6. Gross Width [mm]:

710

7. Gross depth [mm]:

725

8. Gross Height [mm]:

540

9. Gross Weight [kg]:

65.00

10. Device type:

Electric unit

11. Construction type of device:

Table top

12. Power electric [kW]:

9.000

13. Loading:

230/400 V / 1/3N - 50 Hz

14. Protection of controls:

IPX4

15. Exterior color of the device:

Stainless steel

16. Material:

AISI 430

17. Indicators:

operation and warm-up

18. Surface finish:

durable chrome

19. Maximum device temperature [°C]:

300

20. Minimum device temperature [°C]:

50

21. Griddle dimensions [mm x mm]:

650 x 480 + 320 x 380

22. Griddle thickness [mm]:

10.00

23. Container for liquid fat:

Yes

24. Independent heating zones:

Separate control for each heating zone on the bottom plate and for the top plates

25. Removable rim:

No

26. Uniform heating:

Yes

27. Top type:

Smooth

28. Cross-section of conductors CU [mm²]:

4